

# Water Works



## Model WT-Victaulic - Woltman Turbo - Water Meter

Woltman meter with Victaulic connections, model WT-VICTAULIC. The only water meter with victaulic connections. Ideal for constructors and installers.

### • Applications

Water supply networks, agricultural application, industrial use, fire fighting, water treatment..

### • Available Sizes

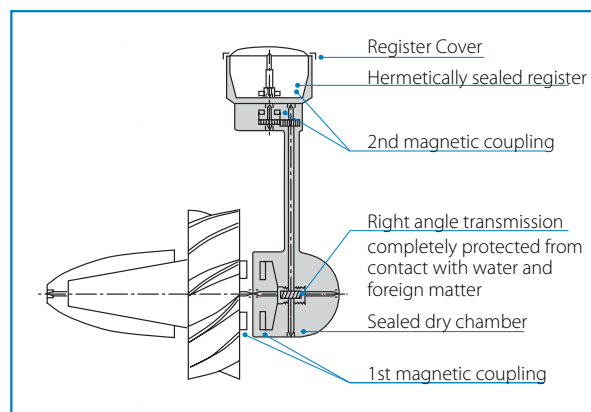
3", 4", 6" (80mm, 100mm, 150mm)

### • Standards

ISO 4064, EEC, Class B

### Features:

- High Accuracy.
  - Low head loss.
  - Immunity to abrasive media due to double magnetic transmission
  - Only the impeller is in contact with the water.
- Fogging free. Condensation phenomenon is avoided due to vacuum-sealed register.
- Faster and easier installation.
  - Easier access to the system for maintenance purposes
- Improves construction schedules.
  - Noise and vibration attenuation



### Technical Specifications

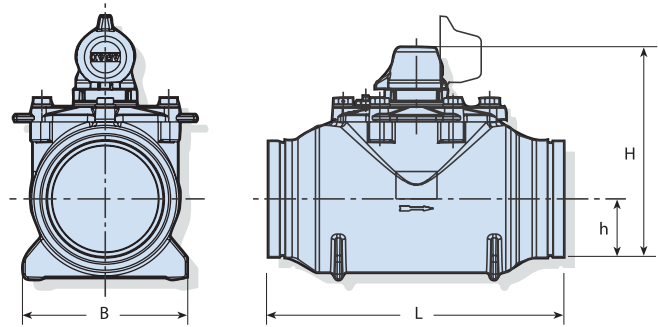
Maximum Working Pressure	Standard - 16 bar
Maximum Liquid Temperature	60°C
Body	Ductile iron, polyester coated.
Connection	Victaulic



WT - Victaulic type dial

### Dimensions

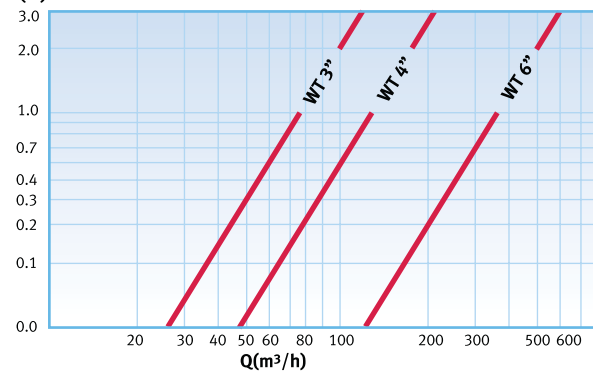
Model		WT - VICTAULIC		
Nominal size	(mm)	80	100	150
	(inch)	3	4	6
L - Length (mm)		248	278	432
B - Width (mm)		130	150	240
H - Height (mm)		252	260	339
h - Height (mm)		44.4	57	84.3
Weight (kg)		15.5	19	35



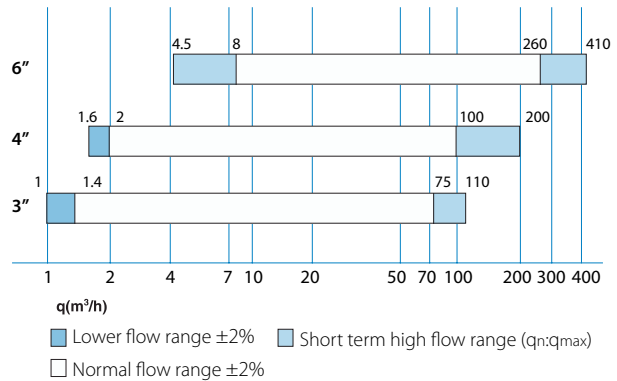
### Performance data:

WT - VICTAULIC		Q <sub>max</sub>	Q <sub>n</sub>	Q <sub>n</sub>	Q <sub>t</sub>	Q <sub>min</sub>	Starting	Maximum	Minimum	Accuracy	Accuracy
Nominal size		Maximum	ISO 4064	Nominal	Transitional	Minimum	Flow	register	register	between	between
mm	Inch	flowrate	(m <sup>3</sup> /h)	Flowrate	Flowrate	Flowrate	(m <sup>3</sup> /h)	capacity	capacity	Q <sub>max</sub> & Q <sub>t</sub>	Q <sub>t</sub> & Q <sub>min</sub>
		(m <sup>3</sup> /h)			(m <sup>3</sup> /h)	(m <sup>3</sup> /h)			(liter)		
80	3	110	40	75	1.4	1	0.4	10 <sup>6</sup>	1	±2%	±5%
100	4	200	60	100	2	1.6	0.6	10 <sup>7</sup>	10		
150	6	410	150	260	8	4.5	1.8	10 <sup>7</sup>	10		

### Head Loss Curve



### Flow Limit



### Installation Requirements

- The water meter may be installed in any position. For non-horizontal positions the flow shall be upwards.
- The meter shall be full of water while operating.
- Prior to installation of a meter, the pipeline shall be thoroughly flushed.
- Straight pipe section of the same diameter D as the meter, having length of 10D and 5D shall be installed upstream and downstream of the meter respectively