

Irrigation & Agriculture



Model SF - Plastic Fertilizer Meter

The SF is a fertilizer & chemical solutions meter with electrical output and a totalizing register.

The impeller is the only moving part, inside the meter, that comes into contact with the liquid.

• Applications

- Fertilizing control in automated irrigation systems.
- Industrial applications involving corrosive liquids.

• Available Sizes

1/2" (15mm)

Features:

- Mechanical register with totalizer, 3 pointers and leakage detector
- High accuracy.
- Corrosion resistant plastic components.
- Small & lightweight. Compatible with Dialog automatic reading system



Technical Specifications

Maximum Working Pressure	5 bar
Maximum Working Temperature	50°C
Body	PPS
Connection	3/4" BSP
Electrical output	0.1, 1, 10, 100 liter/pulse

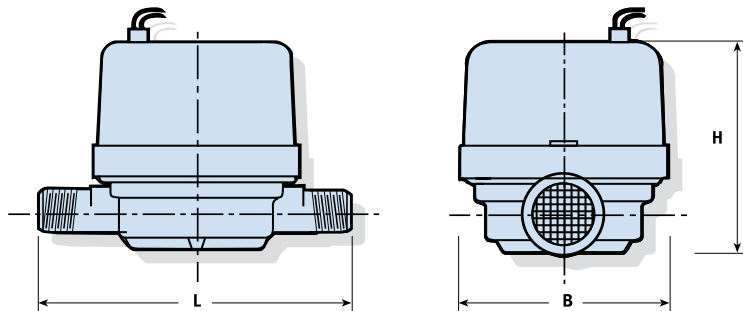
Irrigation & Agriculture



Model SF - Plastic Fertilizer Meter

Dimensions

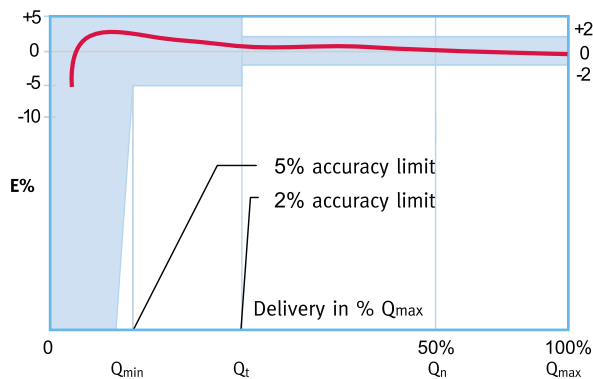
Model		SF
Nominal size	(mm)	15
	(inch)	1/2
L - Length (mm)		110
H - Height (mm)		81
B - Width (mm)		77
Weight (kg)		0.28



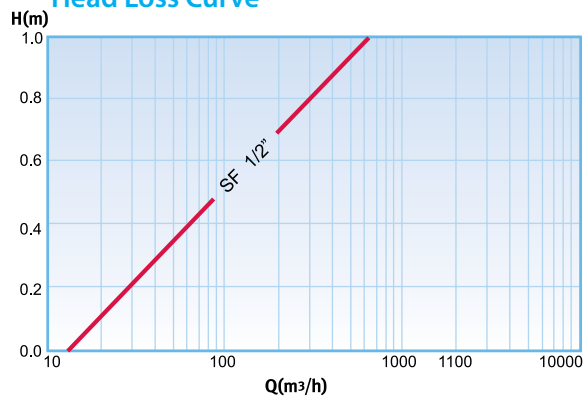
Performance data:

Model SF		Q _{max} Maximum flowrate (l/h)	Q _t Lowest Flowrate Measured between ±2% (l/h)	Q _{min} Lowest Flowrate Measured between ±5% (l/h)	Loss of Head at Maximum flow rate (bar)
Nominal size		750	70	25	0.12
(mm)	(inch)				
15	1/2				

Accuracy Curve



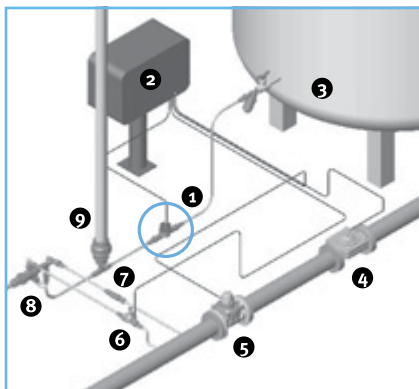
Head Loss Curve



Installation Requirements

- The fertilizer meter should be installed in horizontal position.

Installation Scheme



- SF Fertilizer Meter
- Irrigation computer
- Fertilizer tank
- Hydraulic valve
- Water meter
- Hydraulic valve
- Flow limiter valve
- Fertilizer Pump
- 75 mm damping pipe



Arad Ltd.

Dalia 19239, Israel, Tel: 972-4-9897911, Fax: 972-4-9897960

www.arad.co.il

